

RELAY HUB operation manual

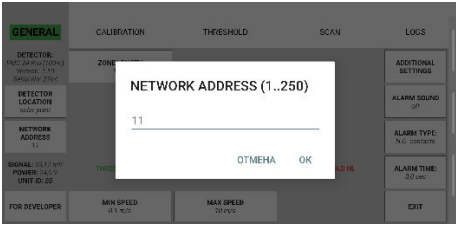
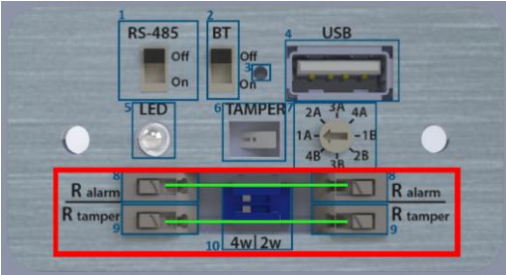
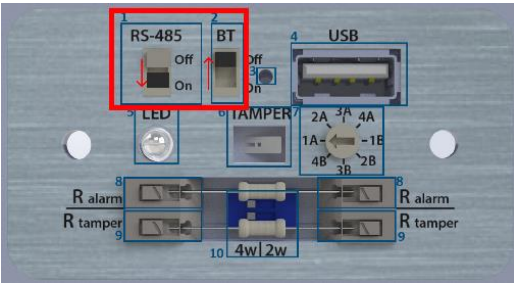
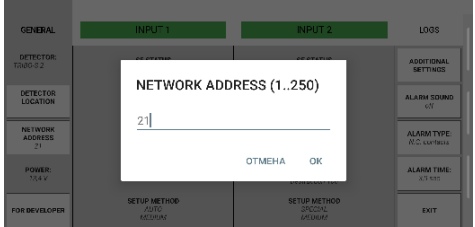
In order to connect all **DDs** (Detection Devices; see further as **DD**) to the RELAY HUB, using the two-wire cables connect them in parallel with each other (it is recommended to use the outdoor, shielded cable, F/UTP), via the RS-485 connecting terminals, as shown in the **Table 1**.

NOTE. RELAY HUB has two independent RS-485 connection terminals;

NOTE. RELAY HUB output type is the “open collector type”;

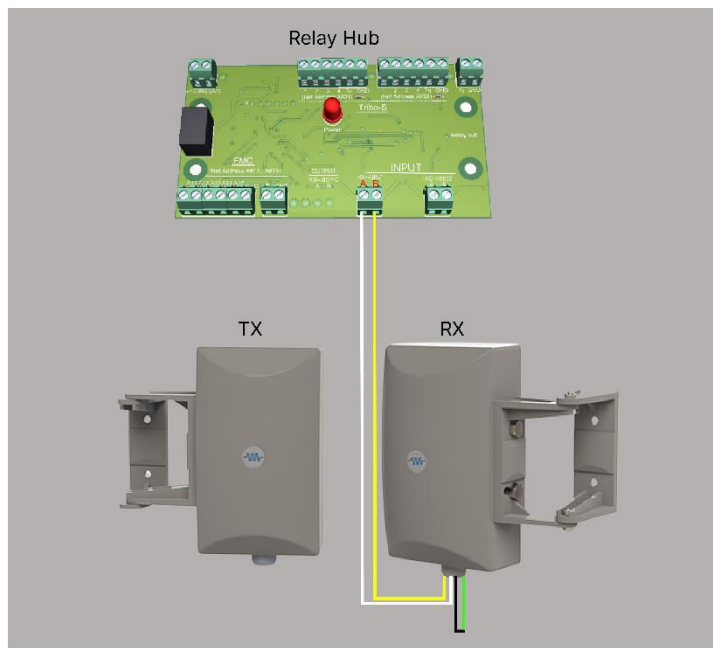
I. FIRST step

Table 1

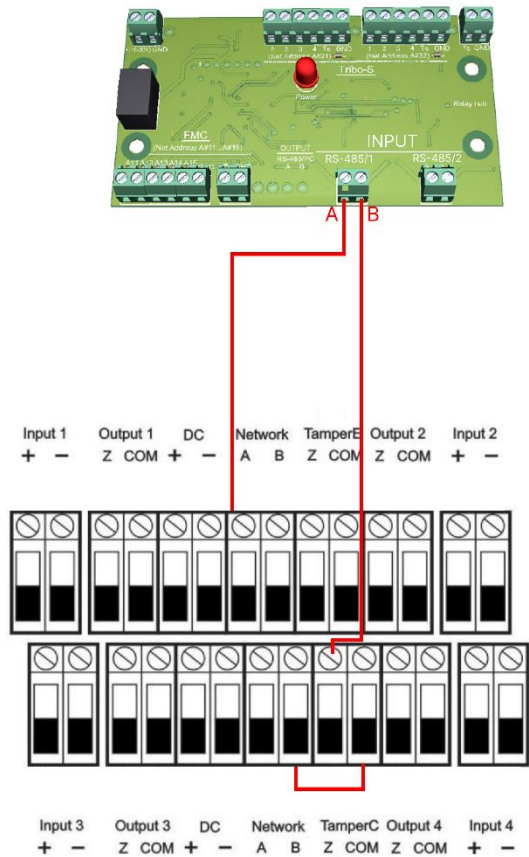
FMC 24 Pro	TRIBO-S
<p>1. Connect to the FMC 24 Pro using the Android/ Windows software and select the “Network address” from 11 to 15;</p>  <p>2. Steps to conduct under the RX cover:</p> <p>2.1 Need to shorten Rtamper and Ralarm terminals. (see the example below);</p>  <p>2.2 Put the RS-485 switch into the “ON” position, and the “BT” switch into the “OFF” position (see the example below);</p> 	<p>1. Connect to the TRIBO-S using the Android/ Windows software and select the “Network address” 21 or 22;</p>  <p>2. Steps to conduct in the TRIBO-S connection terminal:</p> <p>2.1 Connect the “Network B” contact with the “Tc-Com” contact (see scheme 2 below);</p> <p>2.2 Connect the “Network A” contact with RELAY HUB “A” terminal (see scheme 2 below);</p> <p>2.3 Connect “Tc-Z” contact with RELAY HUB “B” terminal (see scheme 2 below);</p> <p>3 For the proper operation of the device the cover must be closed;</p>

3. Steps to conduct with the cables that are coming out of the RX:

- 3.1 The “black” and “green” wires should be shortened with each other (see scheme 1 below);
- 3.2 Using the “white cable” connect the DD with the terminal RELAY HUB “A” (see scheme 1 below);
- 3.3 Using the “yellow cable” connect the DD with the terminal RELAY HUB “B” (see scheme 1 below);
- 3.4 For the proper operation of the device the cover must be closed;



Scheme 1



Scheme 2

II. SECOND step

Get the power to RELAY HUB (from 9 V to 30 V). The “Power” indicator must be lit continuously. On the RELAY HUB press and hold the “Search” button (**depending on the number of DDs hold from 3-10 seconds.**) The “Power” indicator must blink. The RELAY HUB will switch to the DDs search mode and perform pulling via the RS-485 interface lines. When the DDs will be detected, the “Net Address” light indicator will blink or will be lit continuously. Release the “Search” button. The “Power” light indicator will be lit continuously. **When connecting TRIBO-S, if successful, “Net Address” light indicator will be lit continuously. When connecting FMC 24 Pro, the “Net address” light indicator will be lit continuously or rapidly blink (depends on the status of the protected zones)**